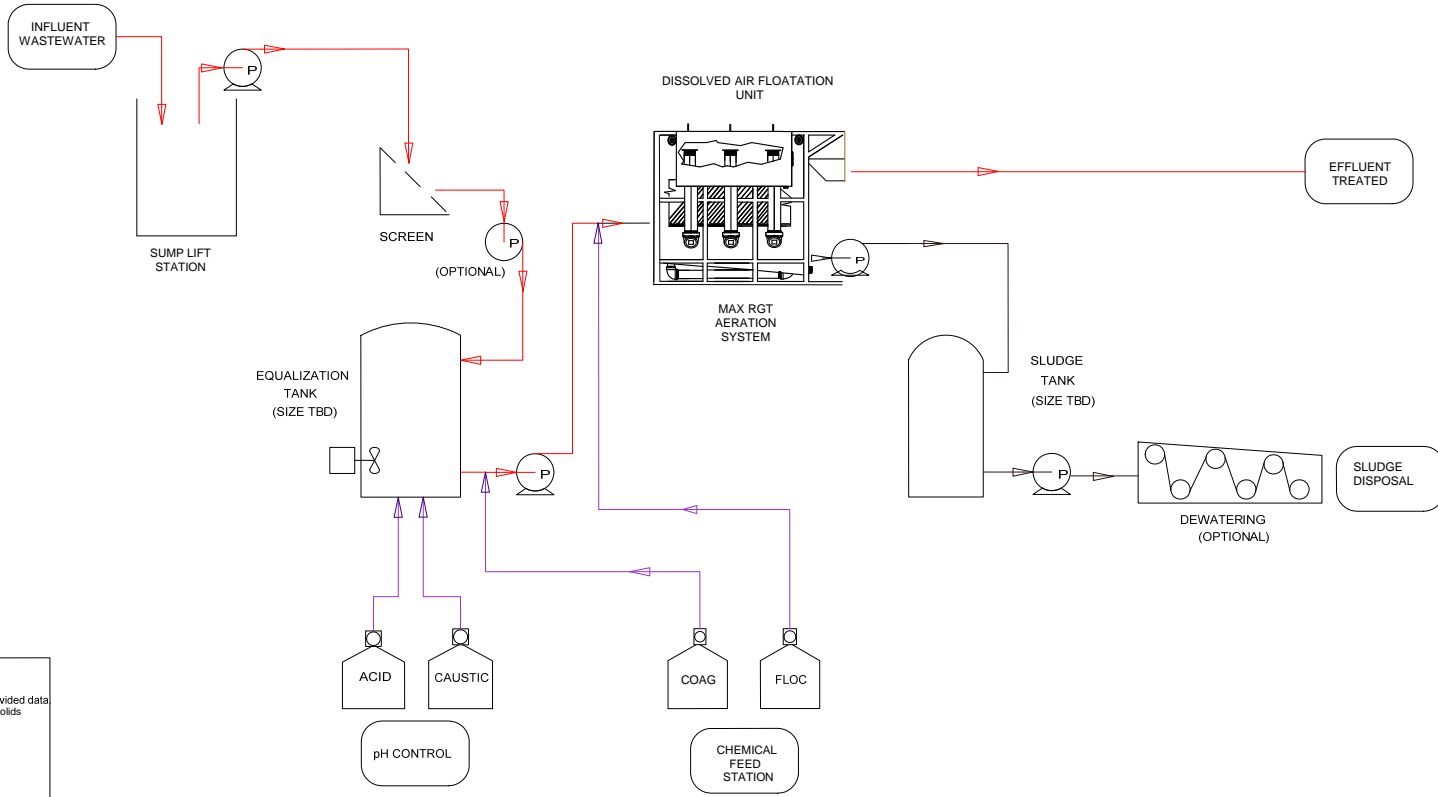


REV	DESCRIPTION	DATE	SIGNATURE
0	INITIAL RELEASE	12-04-08	STUART WARD



GENERAL OVERVIEW
 The illustrated project is designed on the client provided data. The design is to provide for removal of suspended solids consistent with good management practices.

Design flow: xxxxxx GPM
 maximum xxxxxx GPD
 Character: - xxxxxx TSS
 - xxxxxx BOD
 - xxxxxx FOG
 pH: xxx to xxx
 Temp: xxx F maximum

NOTES:
 1) RECOMMEND EQ = 25% DAILY FLOW MIN
 2) RECOMMEND 30 MIN pH RESIDENCE TIME
 3) SLUDGE DEWATERING OPTIONAL
 4) BACKUP TRANSFER PUMPS OPTIONAL

This General Layout drawing is for descriptive purposes. Final position of equipment and plumbing determined upon installation.

CONFIDENTIAL



19215 SE 34th Street Suite 106-202 Camas, WA 98607

THE INFORMATION HEREIN IS PROPRIETARY, NO PORTION OF IT SHALL BE COPIED, DISCLOSED OR USED FOR DESIGN OR MANUFACTURE EXCEPT WITH SPECIFIC WRITTEN CONSENT FROM P.E.W.E.		TITLE GL- DAF FULL SYSTEM	
DRAWN BY: STUART WARD	DATE: 12-04-08	DRAWING SIZE B	DRAWING NO P008-099
CERTIFIED:	DATE:	SCALE AS DRAWN	SHEET 1 of 1
		REV 0	